

A Step Beyond **Generation .2**



*Electric multi-turn actuators SA 07.2 – SA 16.2
with integral controls AUMATIC AC 01.2*

The new generation of electric multi-turn actuators and new actuator controls

AUMA actuators and actuator controls are used hundreds of thousands of times in process plants throughout the world. Their highly developed technology and proven reliability guarantee accurate long term performance in a wide variety of applications.

With the Generation .2, AUMA introduces a significant further development for the increasing demands in all types of process plants, from the water industry and energy sector to the oil and gas industry. The modular structure of Generation .2 provides the perfect


combination of multi-turn actuators and appropriate actuator controls. Using standardised components, a customised solution can be developed for valve applications.

Flexible system solutions, sustainable performance and smooth upgrades.

See the advantages of Generation .2 for yourself - it will be our pleasure to give you further detailed information.

Improve your process - AUMA Generation .2





SA 07.2 – SA 16.2 with AC 01.2
SAR 07.2 – SAR 16.2 with AC 01.2

- : Torques: 10 – 1,000 Nm
- : Output speeds for open-close and modulating actuators up to 90 rpm
- : High IP enclosure protection
- : Explosion proof version available
- : High corrosion protection
- : Parallel interface to the DCS
 - up to 10 binary inputs
 - up to 12 output contacts
 - up to 2 analogue inputs and outputs
- : Interfaces to fieldbus systems Profibus DP-V2, Modbus RTU, amongst others
- : Electrical connection via AUMA plug/socket connector with enlarged terminal compartment/cable entries

for a world in motion

Actuator controls AUMATIC Generation .2

- : Accurate programming and setting, wireless or directly via device display
- : User-friendly, multi-lingual, intuitive operation
- : Function extension updates can be made wireless via Bluetooth
- : Comfortable operation, setting, diagnostic and recording of all actuator data via AUMA PC ToolSuite

for a world in motion

Multi-turn actuators Generation .2

- : Improved handling and operation
- : Intelligent diagnostic functions and sensor system
- : Improved control behaviour, increased output speed range for modulating actuators
- : Long service life and outstanding reliability
- : Flexible mechanical adaptation to suit different valve designs

for a world in motion



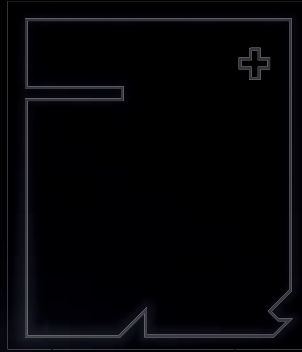
Anticipating the needs of tomorrow

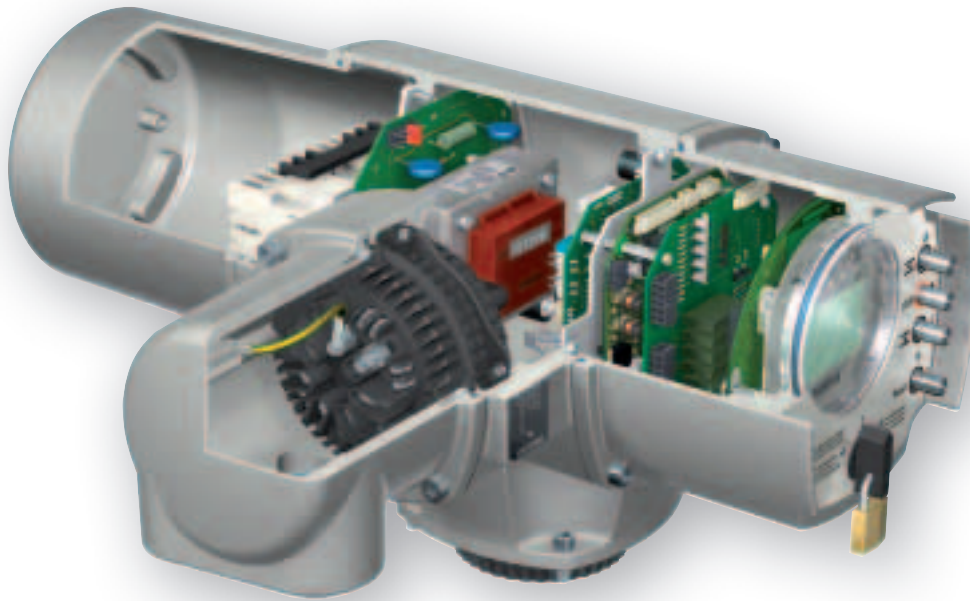
AUMA generation .2 is compatible with previous AUMA versions. Actuator controls and actuators from different generations can be combined. This ensures low-risk investment and guarantees that we will always be at the forefront of technological development.

Modular concept - efficiency as a standard

The basic actuator, actuator controls, motor and electrical connection are based on plug-in technology and can be interconnected as desired.

This way, local adaptations due to space constraints or subsequent configuration changes can be made within just a few minutes. Due to the plug-in electrical connection, all wiring remains undisturbed during installation and maintenance tasks.





High end precision - actuator controls for the future AUMATIC AC 01.2

Easy operation

Clear presentation of all operation and configuration options on a large and easy-to-read display. User-friendly and multi-lingual menu navigation. Operation via local controls or wireless connection via the AUMA PC ToolSuite.

Diagnostic and operating data logging

All parameter and diagnostic data can be directly accessed. Torque curves are recorded and displayed. Time-stamped history for setting, operation process and faults can be accessed at any time. Hereby all events and signals are classified according to NAMUR guidelines.

Perfect connection

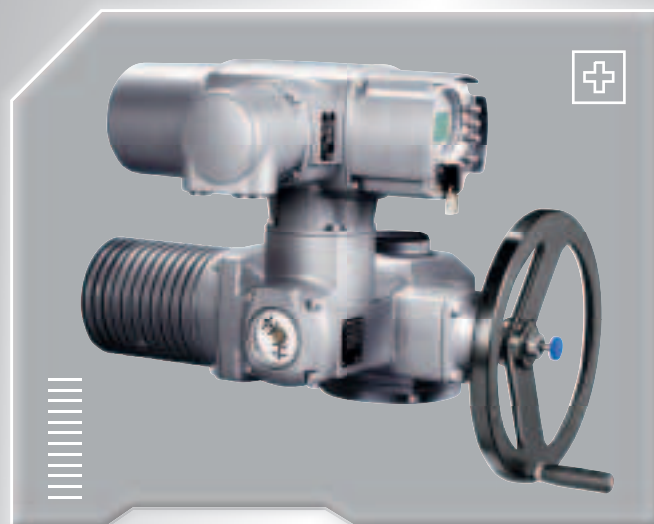
In parallel communication, up to 10 digital inputs and up to 12 output contacts offer a comprehensive interface to the DCS. The AUMATIC offers interfaces to all conventional fieldbus systems, including Profibus DP V2, and supports the concepts for smooth device integration into the DCS, such as, for example FDT/DTM.

Optimum monitoring

Limit values of operational parameters are continuously sent and can be accessed either via the display or via the DCS.

Enhanced applications

Under-voltage conditions up to -30 %, ambient temperatures between -60 °C and +70 °C.



For more information, please refer to www.generation2.auma.com

Improved handling and operation

Convenient connection facility due to enlarged electrical connection via AUMA plug/socket connector by using large cable entries. The AUMA motor plug/socket connection is now available across the complete Generation .2 series. The compact design results in reduced weight at comparable torque. Improvement of the approved AUMA handwheel activation by applying a spring-loaded system with manual operation indication. AUMA control unit in electronic and mechanical version with adjustable reduction gearing for conventional stroke ranges.

Intelligent diagnostic function and sensor system

In combination with the electronic control unit, temperature and vibration sensors for monitoring the service parameters guarantee reliable operation and allow preventive maintenance for Generation .2 multi-turn actuators.

Precision and control accuracy

An enhanced mechanical structure and reduced mechanical tolerances have led to improved control accuracy and an extended output speed range for modulating actuators.

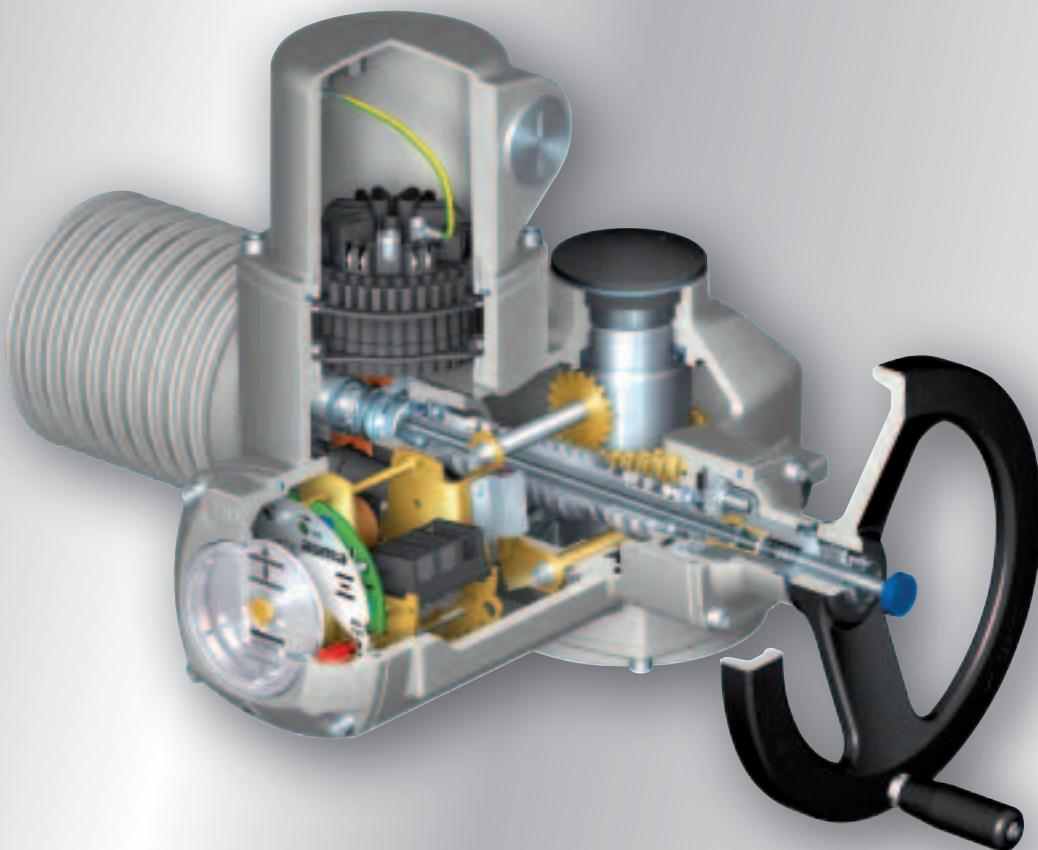
Permanent reliability

Material selection, construction and new manufacturing methods as well as the further enhanced corrosion protection ensure higher service life.

Flexibility and adaptation

The valve connection for Generation .2 multi-turn actuators - implemented as standardised hollow shaft, plug sleeve solution - allows significant flexibility for valve adaptations.

Actuators for global challenges - SA 07.2 - SA 16.2



For more information, please refer to www.generation2.auma.com

auma®

Solutions for a world in motion

AUMA Riester GmbH & Co. KG

P.O. Box 1362

79373 Müllheim, Germany

Tel +49 7631 809-0

Fax +49 7631 809-1250

riester@auma.com



Subject to change without notice.

The product features and technical data provided do not express or imply any warranty.

Y004.775/002/en/1.09

For detailed information on AUMA products, refer to the Internet: www.auma.com